

The ZFCM valves are designed for temperature control in heating and cooling systems. The valves are available as both 2- and 3-way models.

The ZFCM valves can only be used together with Regin's RVAFC actuators. Valves and actuators are ordered separately.

Function

On demand, the valve is opened by a signal from a thermostat (supply voltage on). When the temperature reaches the desired level, the spring return mechanism will force the valve back to closed position.

The sealing ball of the valve closes against the flow on the 2-way valves. In 3-way valves, the ball normally closes towards the coil side (see fig. 1 and fig. 2).

On the side of the actuator there is a device for manually opening the valve.

The actuator has a plastic casing.

Installation

To ensure tight closure of the 2-way valve and to prevent noise when closing, it is to be mounted on the return line of the coil with the inlet on port B.

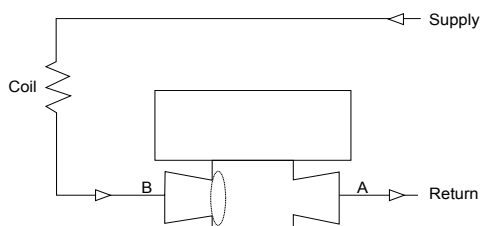


Fig. 1: 2-way valve

ZFCM

2- or 3-way valves

Intended for on/off control of hot or cold water in heating or cooling systems. The valves can only be used together with Regin's RVAFC actuators.

Short facts about ZFCM

- Tight closing
- Closing pressure up to 200 kPa

The 3-way valve is of diverting type and is to be mounted on the supply line at the diverting point with outlets both on port A and port B. The port B outlet should be mounted in the direction of the coil, since it is closed using the spring return of the actuator when not under power.

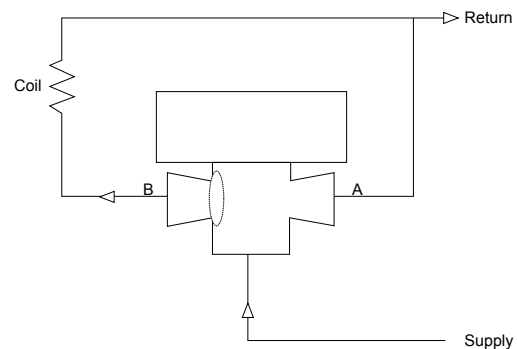
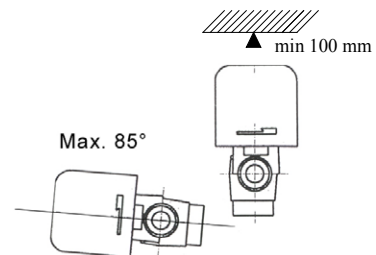


Fig. 2: 3-way valve

The valves should be mounted with the actuator in an upright or side position (see the picture below).



Models

2-way models	Connection	Kvs	Max. diff. pressure	Intended for actuator
ZFCM-215X	DN15	3.2	200 kPa	RVAFC-2302
ZFCM-220X	DN20	4.6	150 kPa	RVAFC-2302
ZFCM-225X	DN25	5.7	100 kPa	RVAFC-2302
ZFCM-232X	DN32	10	80 kPa	RVAFC-2302

3-way models	Connection	Kvs	Max. diff. pressure	Intended for actuator
ZFCM-315X	DN15	3.2	150 kPa	RVAFC-2303
ZFCM-320X	DN20	4.6	100 kPa	RVAFC-2303
ZFCM-325X	DN25	5.7	100 kPa	RVAFC-2303
ZFCM-332X	DN32	8.4	80 kPa	RVAFC-2303

Technical data

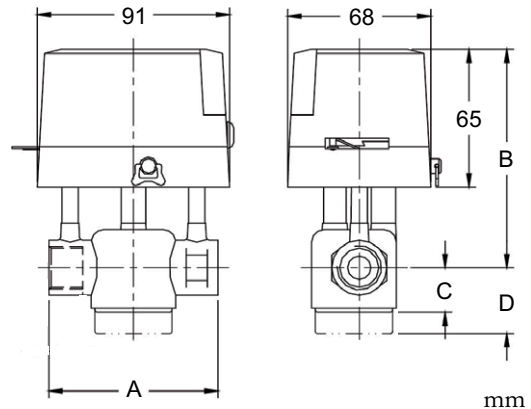
Fluid temperature	2...94°C
Media	Hot or cold water
Pressure class	PN16 (240 psi)
Connection	Female thread BSP according to ISO 228/1

Material

Valve body	Brass CW614N
Ball	NBR
O-rings	EPDM

Dimensions

Model (valve + actuator)	A	B	C	D
ZFCM-215X + RVAFC-2302	80	103	21	-
ZFCM-315X + RVAFC-2303	80	103	-	29
ZFCM-220X + RVAFC-2302	89	103	21	-
ZFCM-320X + RVAFC-2303	89	103	-	32
ZFCM-225X + RVAFC-2302	93	103	23	-
ZFCM-325X + RVAFC-2303	93	103	-	37
ZFCM-232X + RVAFC-2302	105	110	30	-
ZFCM-332X + RVAFC-2303	105	110	-	45



Head office Sweden

Phone: +46 31 720 02 00
 Web: www.regincontrols.com
 Mail: info@regin.se