



GTVS/GTRS

2- and 3-way flanged valve

Control valves intended for use in heating and ventilation systems, suitable for cold and hot water, glycol-mixed water or steam.

- Size DN32–150
- Kvs value 16–310
- Differential pressure 0.12–1.3 MPa

Function

GTVS:

The valve is open when the stem is at its lower position and closed when the stem is at its highest position.

GTRS:

As the stem is at its lower position, flow-through between ports A and AB is entirely open (and closed between ports B and AB). As the stem is at its highest position, flow-through between ports B and AB is entirely open (and closed between ports A and AB).

Actuators

The valves are intended to be used together with actuators of the type RVA... The OVA-F1 adapter kit is factory mounted on models with DN32-40 and OVA-F2 is mounted on models with DN50-150.

- Pressure rating PN16
- Media temperature -5...+120°C

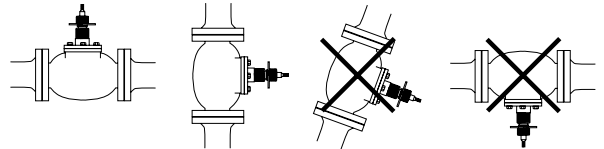
Installation

The valves are to be mounted according to the flow direction arrows on the valve.

The 2-way valve is to be mounted with port A as intake and port AB as return (flow direction A in, AB out) to ensure tight closure and prevent noise when closing.

The 3-way valve is of mixing type and should be mounted at the mixing point.

Make sure to mount the 3-way valve so that correct flow directions are obtained.



Material

Body in cast iron and stem in stainless steel. Plug and seat in gunmetal. Self-adjusting PTFE packing box and O-rings in Viton.

Control of refrigerants

The valves can be used with different refrigerants. In this case, a special type of packing box must be mounted.

Contact Regin for more information.

Models

2-way	Connection	Kvs	Max diff. pressure
GTVS32-16	DN32	16	1.3 MPa
GTVS40-27	DN40	27	0.8 MPa
GTVS50-39	DN50	39	1.0 MPa
GTVS65-63	DN65	63	0.6 MPa
GTVS80-100	DN80	100	0.4 MPa
GTVS100-160	DN100	160	0.25 MPa
GTVS125-215	DN125	215	0.17 MPa
GTVS150-310	DN150	310	0.12 MPa

3-way	Connection	Kvs	Max diff. pressure
GTRS32-16	DN32	16	1.3 MPa
GTRS40-27	DN40	27	0.8 MPa
GTRS50-39	DN50	39	1.0 MPa
GTRS65-63	DN65	63	0.6 MPa
GTRS80-100	DN80	100	0.4 MPa
GTRS100-160	DN100	160	0.25 MPa
GTRS125-215	DN125	215	0.17 MPa
GTRS150-310	DN150	310	0.12 MPa

Technical data

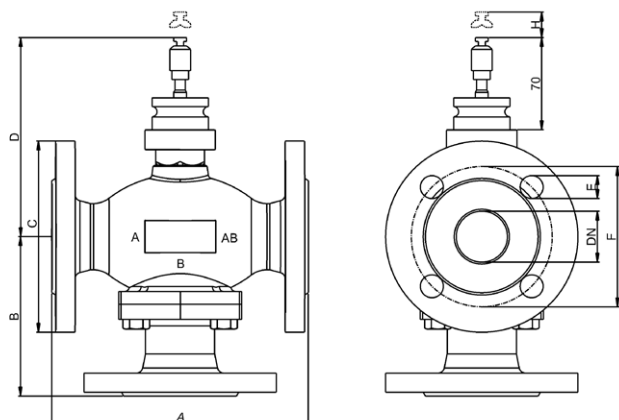
Flow characteristics	Square
Fluid temperature	-5...+120°C
Media	Hot, cold, glycol mixed water or steam.
Connection	Flange
Stroke	See table below
Pressure rating	PN16

Material	
Body	Cast iron Grade 220
Plug and seat	Gunmetal 1400 LG2
Stem	Stainless steel 303S31
Packing box	Self-adjusting PTFE
Bonnet	Brass CZ 121
O-rings	Viton

Dimensions

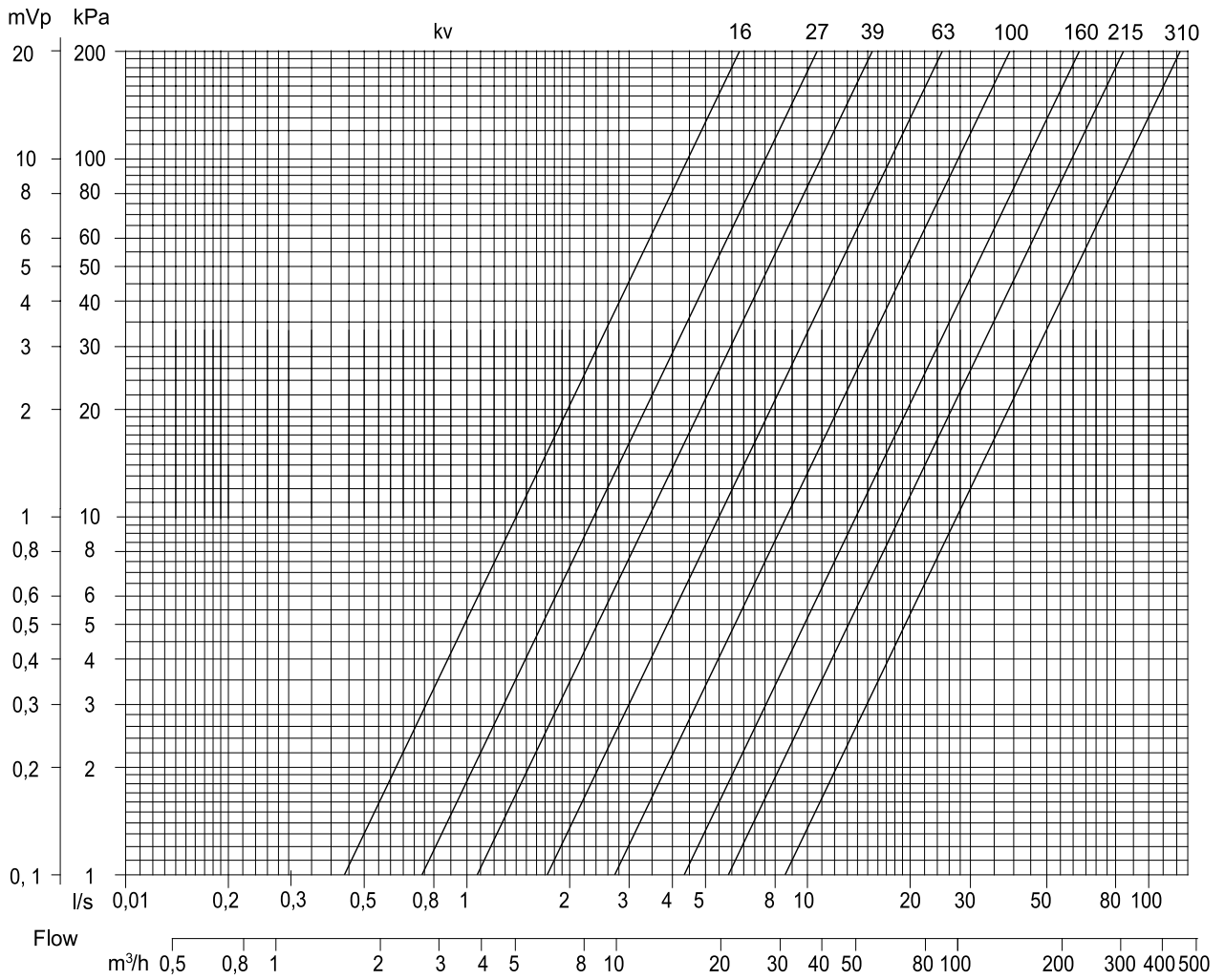
Type	DN	A	B	C	D	E	F	H	Weight (kg)	Actuator
GTVS32-16	32	180	135	140	135	18 (4x)	100	20	13	RVA10
GTVS40-27	40	200	145	150	140	18 (4x)	110	20	17	RVA10
GTVS50-39	50	220	115	165	180	18 (4x)	125	37	17	RVA18
GTVS65-63	65	260	100	185	190	18 (4x)	145	24	15	RVA18
GTVS80-100	80	280	110	200	200	18 (8x)	160	36	23	RVA18
GTVS100-160	100	320	125	220	220	18 (8x)	180	36	28.5	RVA18
GTVS125-215	125	370	135	250	235	18 (8x)	210	40	50	RVA25
GTVS150-310	150	420	180	285	250	22 (8x)	240	40	64	RVA25
GTRS32-16	32	180	115	140	135	18 (4x)	100	20	11	RVA10
GTRS40-27	40	200	125	150	140	18 (4x)	125	37	13	RVA10
GTRS50-39	50	220	145	165	180	18 (4x)	125	37	18.5	RVA18
GTRS65-63	65	260	170	185	190	18 (4x)	145	24	23	RVA18
GTRS80-100	80	280	185	200	200	18 (8x)	160	36	28.5	RVA18
GTRS100-160	100	320	200	220	220	18 (8x)	180	36	35.5	RVA18
GTRS125-215	125	370	230	250	235	18 (8x)	210	40	58	RVA25
GTRS150-310	150	420	250	285	250	22 (8x)	240	40	74	RVA25

NB! All measurements in mm unless otherwise noted.



Pressure drop diagram

Pressure drop





RVAN18-230

Valve actuator for 3-position control,
230 V AC. Force 1800 N.

Valve actuator for control of Regin's range of valves.
Actuator can be set manually.

- Protection class IP54
- Stroke 10...52 mm

RVAN18-230 is a valve actuator intended for control of Regin's valves. Information on which valves are suitable can be found in the product information for each valve. Regin also offers adapters for adjusting the actuator to valves of other brands.

Stroke and end position calibration

Stroke and end position calibration is not necessary due to a construction utilizing end position stops.

When the valve reaches the end position, a force is generated. Once the force of the actuator reaches a predefined level, the limit switch automatically halts the drive motor.

- Manual manoeuvring
- Easy to mount on the valve
- Position indication

Position indications

There are two position indications for the stem, one red and one blue. They can be used for end position indication, since they accompany the stem to its end position. They can also be switched to indicate whether the valve is opening or closing.

Manual override

The valve position can be changed manually using the knob located in the actuator lid.

Technical data

Supply voltage	230 V AC $\pm 15\%$, 50 Hz
Control signal	3-position
Power consumption	12 W
Stroke	10...52 mm
Stroke time	3 s/mm
Force	1 800 N
Ambient temperature	0...50°C
Storage temperature	-40...+80°C
Ambient humidity	10...90 % RH
Protection class	IP54

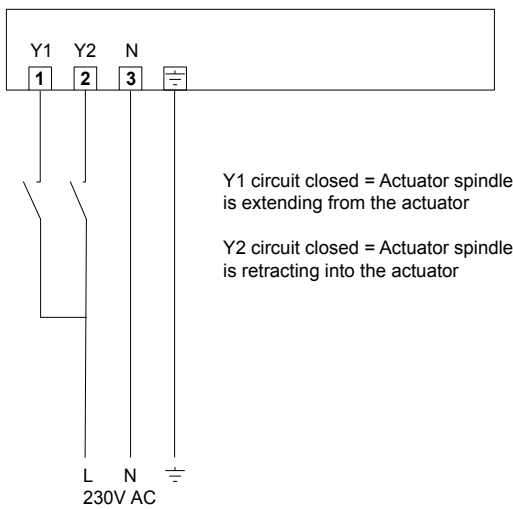


Low Voltage Directive (LVD) standards: This product conforms to the requirements of the European Low Voltage Directive (LVD) 2006/95/EC through product standards EN60730-1:2000 and EN60730-2-14:1997.

EMC emissions & immunity standards: This product conforms to the requirements of the EMC Directive 2004/108/EC through product standards EN60730-1:2000 and EN60730-2-14:1997.

RoHS: This product conforms to the Directive 2011/65/EU of the European Parliament and of the Council.

Wiring



Dimensions

