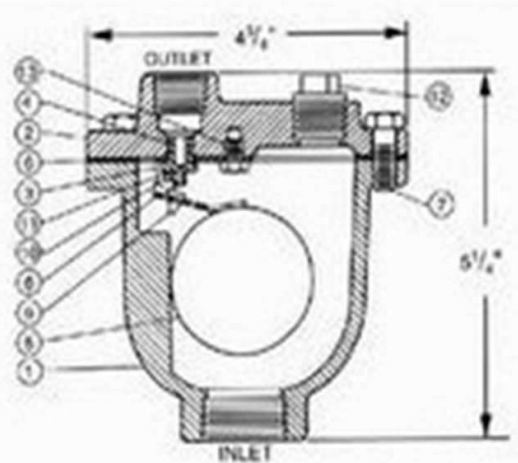


SUPER-X VALVE

AUTOMATIC AIR VENT VALVE



MATERIALS LIST

NO.	PART NAME	ASTM SPEC.
1	BODY	Cast iron-A126,Class B
2	COVER	Cast iron-A126,Class B
3	LEVERFREME	Stainless Steel-T304,A240
4	SEAT	Stainless Steel-T304,A276
5	FLOAT	Stainless Steel-T304,A240
6	GASKET	Non-asbestos
7	COVER BOLT	Carbon Steel-SAE Grade.5
8	FLOAT ARM	Stainless Steel-T304,A240
9	ORIFICE BUTTON	Viton
10	PIVOT PIN	Stainless Steel-T304,A276
11	PIN RETAINER	Stainless Steel-PH15-7 MO
12	PIPE PLUG 1/2"	Malleable Iron
13	LOCATOR	Stainless Steel-T304,A276

DESCRIPTION

VALVE SIZE	Max.Temp.	Inlet size	outlet size	Orifice size	Weight(lbs)
1/2"	(120°C)250°C	1/2"N.P.T.	1/2"N.P.T.	1/16"	5.5
3/4"	(120°C)250°C	3/4"N.P.T.	1/2"N.P.T.	1/16"	5.5
1"	(120°C)250°C	1"N.P.T.	1/2"N.P.T.	1/16"	5.5

NOTES :

1.BSP inlet and outlet are available

2.Working pressure:175Psi

3.Test pressure:350Psi